

KWIKSTRUT

UNISTRUT

Pre-assemble onto threaded rod to simplify drop rod install

Saves Time

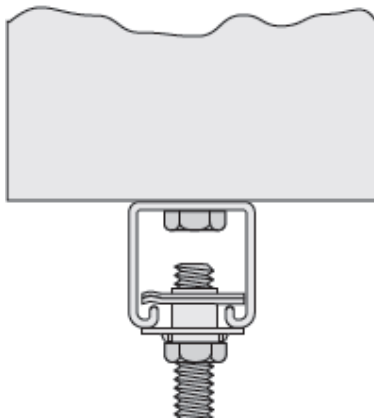
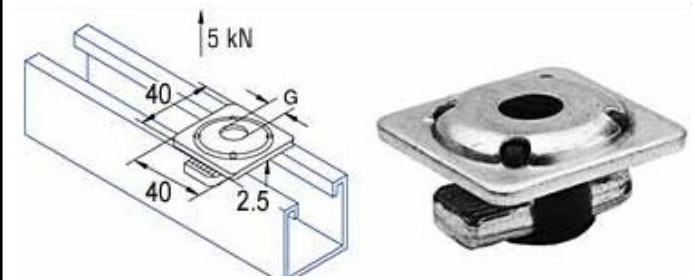
No Loose Parts

Use where you would normally use a channel nut & washer

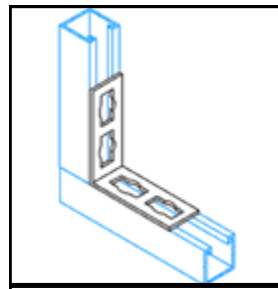
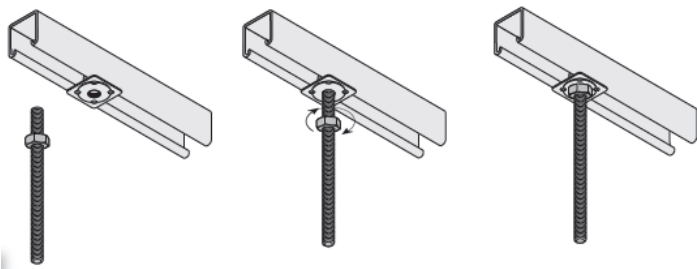
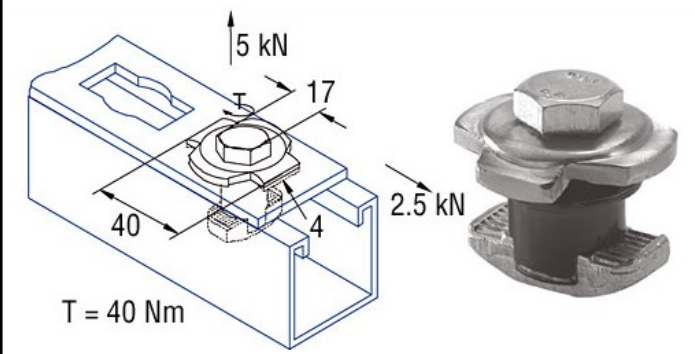
Reduces three parts to just one

Makes possible one-handed installation

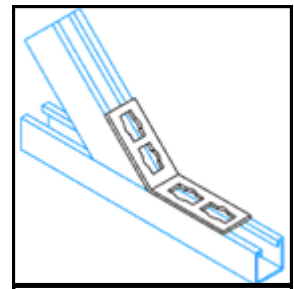
Unistrut QRN Kwikstrut Channel Nuts - M8, M10 & M12



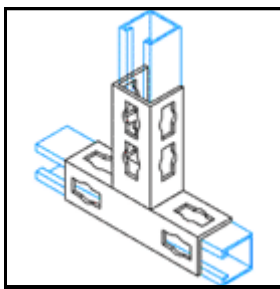
Unistrut QFNH Kwikstrut Channel Nuts - M10



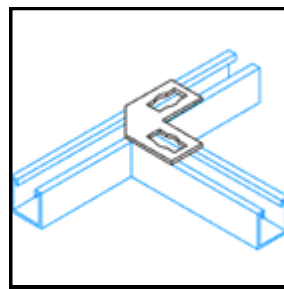
QFFA



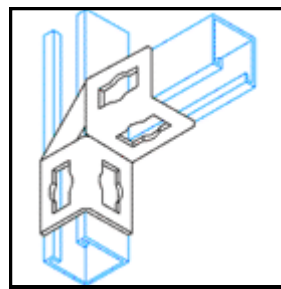
QFFA135



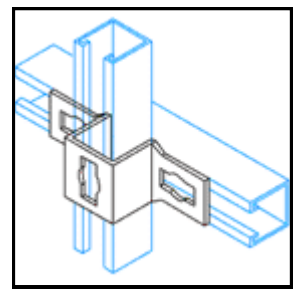
QFT



QFA



QFAZ



QFU